



Introduction

This a 4K HDMI over IP Matrix, Video Wall and Multiview system, the transmitter and Receiver is same unit, it can be switched/defined by the PC software to work either as encoder or as decoder which can provide more application flexibilities and save the costs. On the front panel with a LCD screen to show name, IP address and version info, it will be super helpful when do the system settings. With both DC and POE power supply to provide the installation easier, when set the unit working as Encoder, it will can support 1 HDMI loop out with 3.5mm audio embedded and de-embedded, support 1*RS232, 1*RS485, 1*Relay, 1*I/O central control ports, also the Keyboard and mouse transmission.

This system supports Windows software, Android/iOS tablet APP and UDP commands control, also support the control UI customization. Support to work as matrix switcher switching, Video Wall Control, Distribution and multiview(up to 16-win per screen), support preview functions, support the RTSP IP camera decoding etc functions.

Using 1G network switch, multicast working mode, the input and output resolutions are up to 4K30, low latency and seamless switching between the sources. This system can be widely used in the commercial, residential or governmental applications.

Features

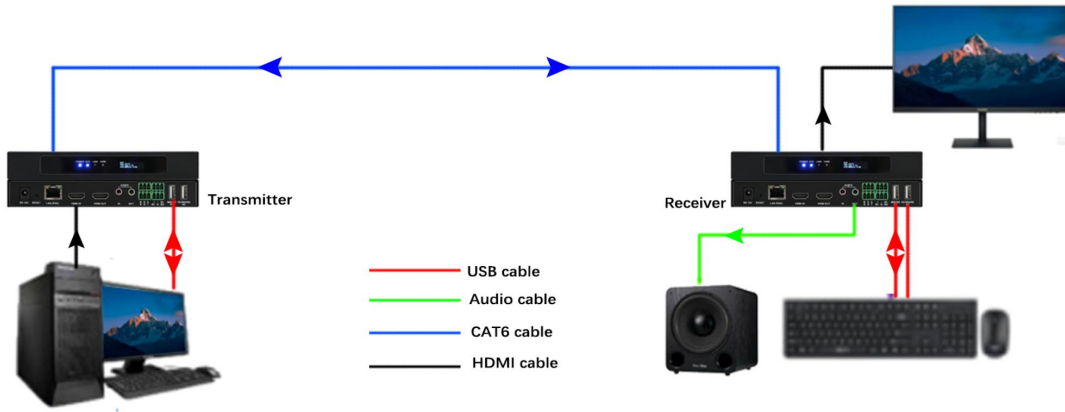
- Transmitter and Receiver in one box, switchable by software
- Input and output resolutions are up to 4K30, distance up to 150m
- Support Matrix Switching, Video Wall, multiview and distributions
- Support preview, OSD, EDID management etc functions
- Support to open up to 16-window per screen, but no PIP and POP
- Support POE and DC both power supply
- Support the control UI customizing
- Support Windows software, APP control, no IP control box needed
- Support TCP/UDP control commands
- Support the central control interfaces(1*RS232, 1*RS485, 1*Relay, 1*I/O)
- Support the Keyboard and mouse transmission, audio in&out
- Support ONVIF and RTSP protocols

Specification

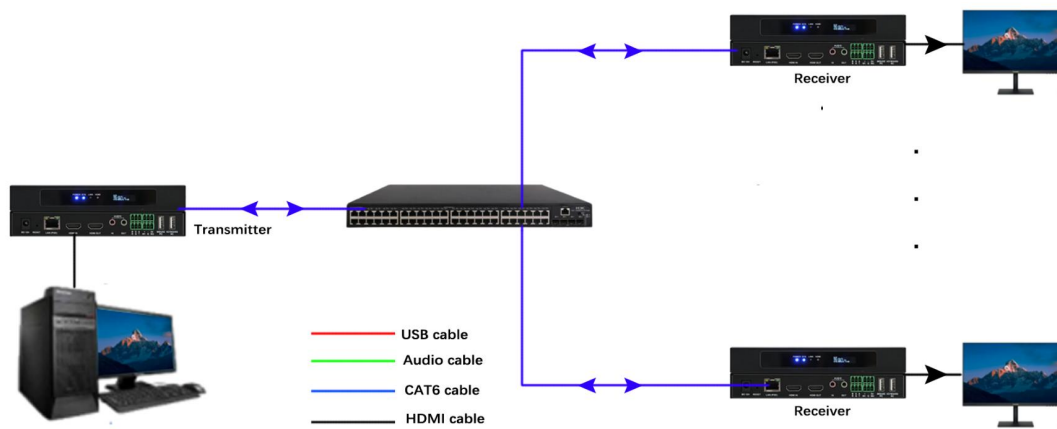
Front panel	
Indicators	PWR: power indicator SYS: System indicator LINK: LAN cable connection indicator HDMI: HDMI signal status
OLED Screen	Showing the Model, ID, IP, status
Back panel	
Video	1*Type-A HDMI
Control	1*RS232 phoenix connector
	1*RS485 phoenix connector
	1*Replay phoenix connector
	1* I/O phoenix connector
Audio	1*3.5mm IN
	1*3.5mm Out
LAN	1*RJ-45(PoE)
USB	2*USB-B ports for Keyboard&mouse or PC host
Power	DC 12V 1A
Specification	
Video	HDMI1.4, HDCP1.4, resolution up to 4K30 in and out
Audio	3.5mm Line in/out, or HDMI audio
IP	Bandwidth up to 20Mbps
	Manually static IP address
	Protocol H.264/265
	Latency 80~120ms
Control	3 rd Party Control by TCP/ UDP
	Windows PC software, Android/iOS APP
Product dimension	175*110.5*25 (L*W*H)(mm)
Temperature	-20°C~+60°C
Humidity	10-90%

Connection Diagram

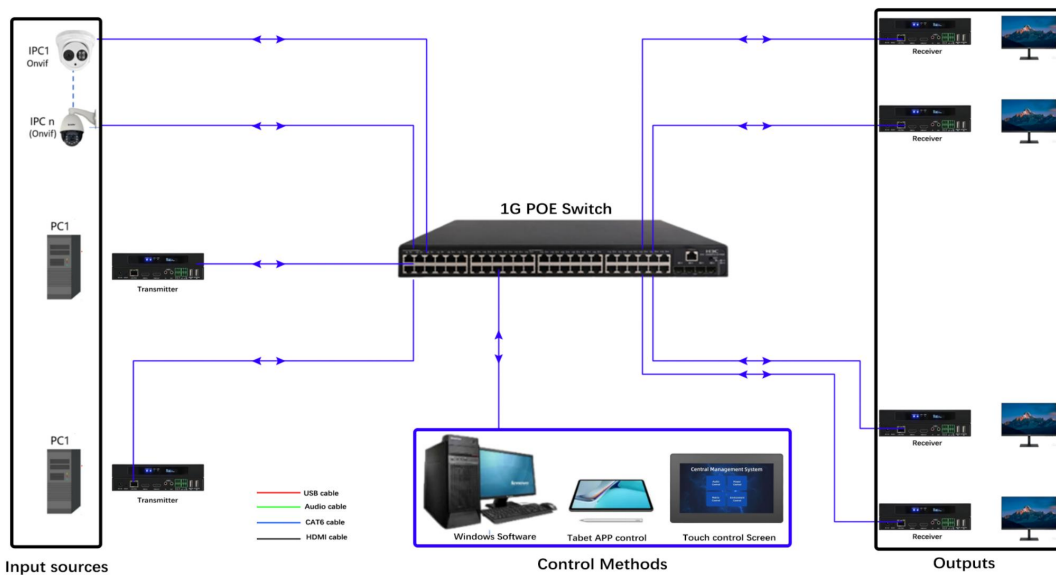
Working as Extender, one to one



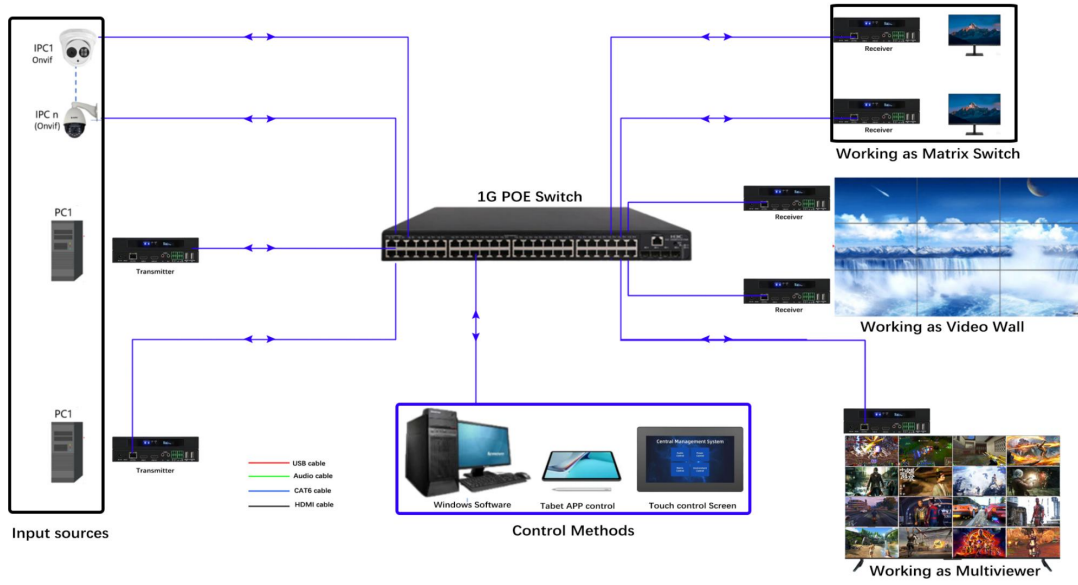
Working as Distribution, one to many



Working as Matrix Switcher, Many to Many



Working as Video Wall Processor and Multiviewer:



Product dimension(L*W*H)(mm)

